

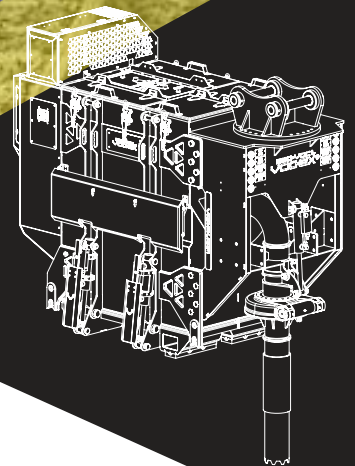
360-VAC[®]

vacuum excavator



360-VAC[®]

The attachment converts your excavator into a wet and dry VAC-EX. Its multi-stage filtration system extends machine life and prevents dangerous exhaust dust.



EXCAVATE & ELIMINATE UTILITY STRIKES & EXHAUST DUST

PATENT PENDING
GB2308424.7



VAC-EX[®]
.com

Coulman Road Industrial Estate, Thorne
Doncaster, DN8 5JU, UK
t: +44 (0)1302 235 099



e: info@vac-ex.com www.vac-ex.com

TECHNICAL DATA

360-VAC®

S

Length	2720 mm (107 in)
Width	1500 mm (59 in)
Height (Hose retracted)	2110 mm (83 in)
Weight*	1800 kg (3968.3 lb)
Debris Skip Capacity	0.35 m ³ (76.9 gal)
Hose Inlet ø	150 mm (6 in)
Vacuum	Single turbine
Standard Filtration <small>HEPA filtration available</small>	5 - 10 micron
Vacuum Depth**	6000 mm (236.2 in)
Excavator Weight	15 - 25 t
Hydraulic Requirements (1)	140 - 200 l / min @ 250 - 280 bar
Hydraulic Requirements (2)	147 l / min @ 172 bar

*Machine weight can vary depending on specification.

**Dependent on ground conditions

Under our policy of continuous improvement, we reserve the right to change specifications and design without prior notice. The illustrations do not necessarily show the standard version of the machine.

For further information on the 360-VAC® simply scan the QR codes below:



www

PRODUCT PAGE



BROCHURE PDF



PRODUCT VIDEO



QUOTE REQUEST



HIRE ME

HIRE ENQUIRY



CASE STUDIES

360-VAC®

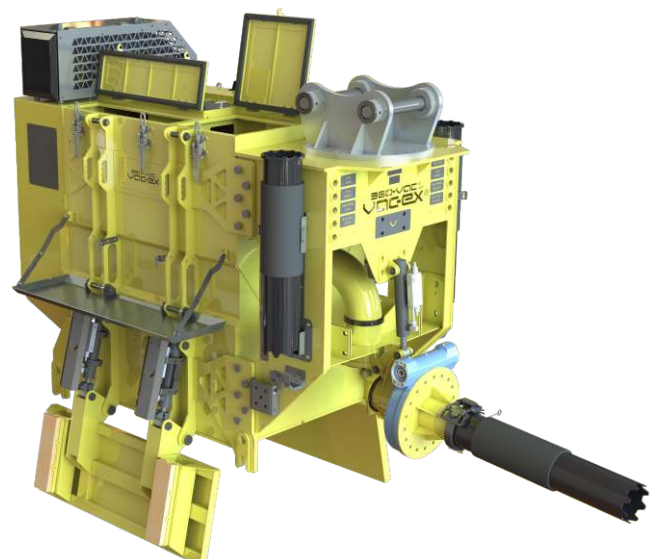


PARTS SHOP

For a full list of parts, attachments and spares visit the PARTS SHOP



PARTS SHOP



VAC-ex®
.com